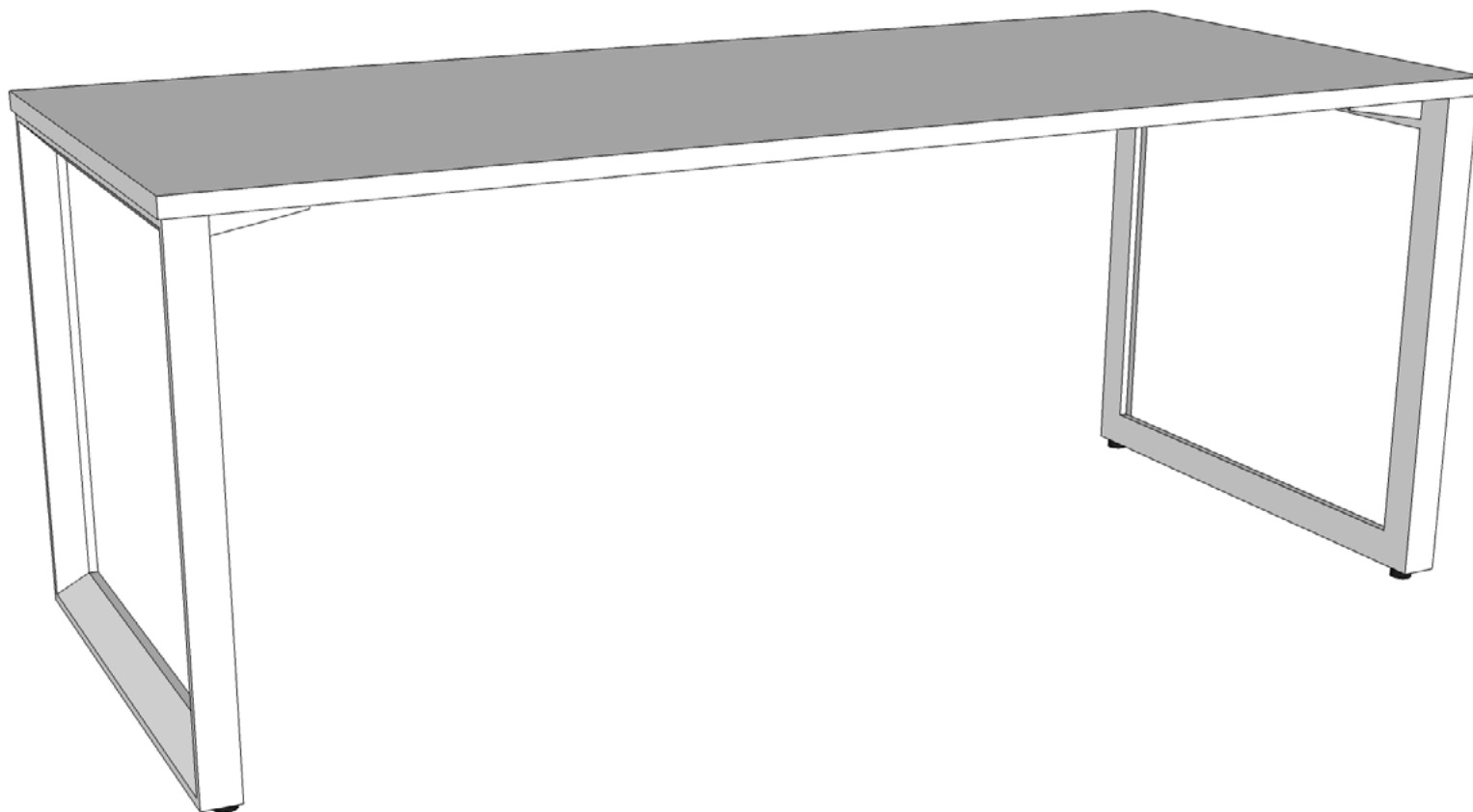


Axis/Anvil Desk

Installation Guide



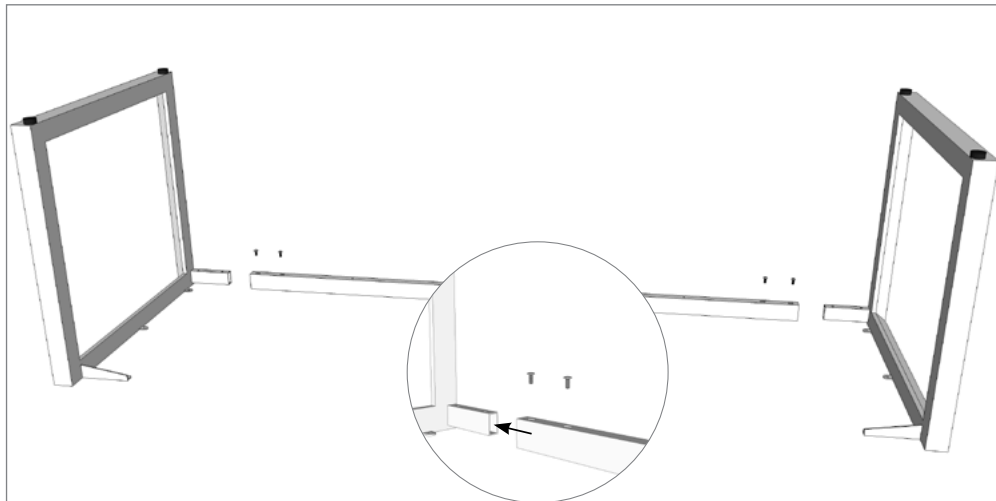
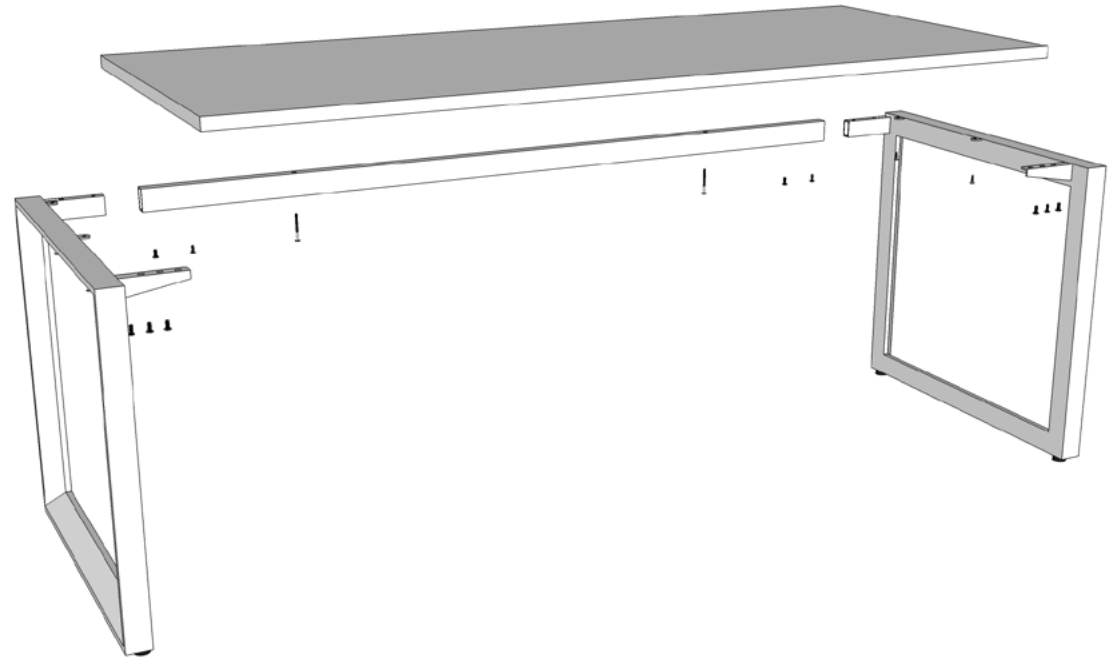
Axis/Anvil Desk

Installation Guide

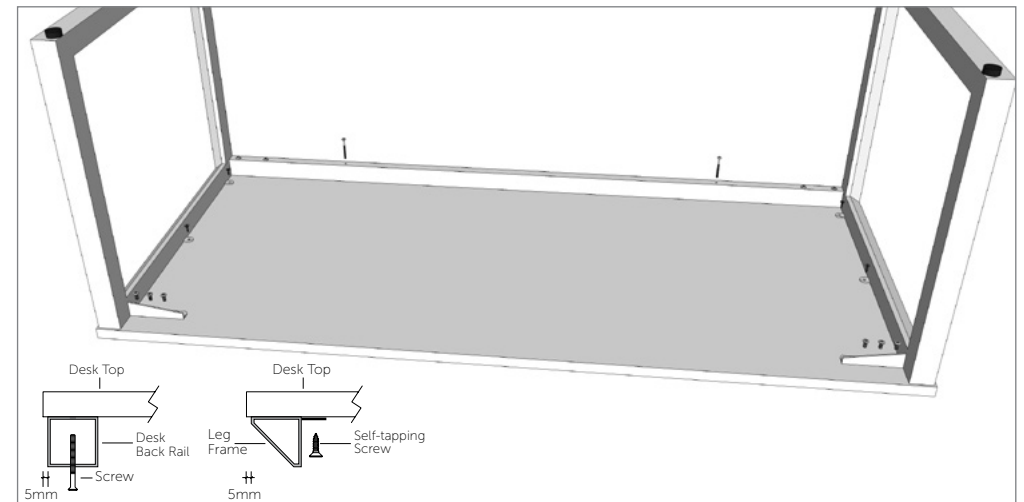
* To prevent possible scratches or damage, assemble the Desk upside down on a soft surface such as a blanket, carpet or packaging.



* Attach Leg to the Top assembly by using Bolts, spring washer, flat washer. Tighten using the Allen Wrench provided.



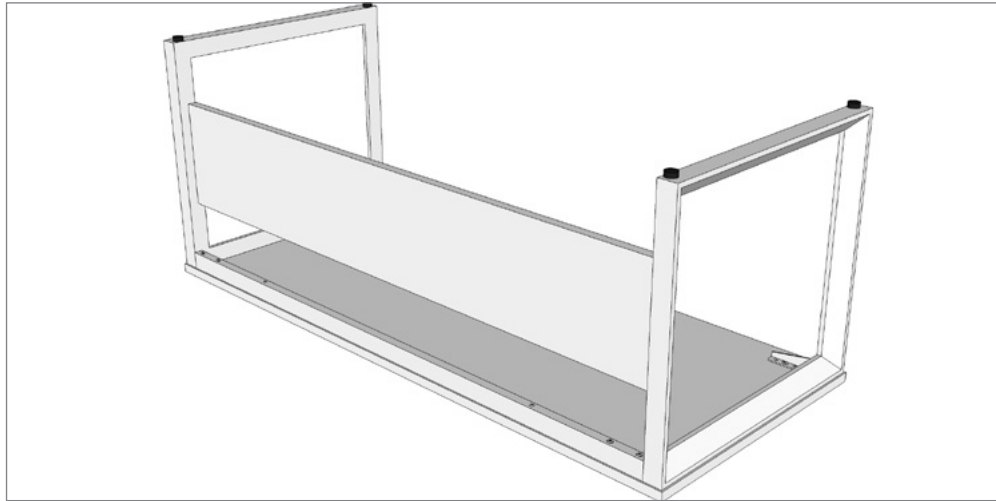
STEP 1: Loosely assemble frames & rails together (1 turn from tight).



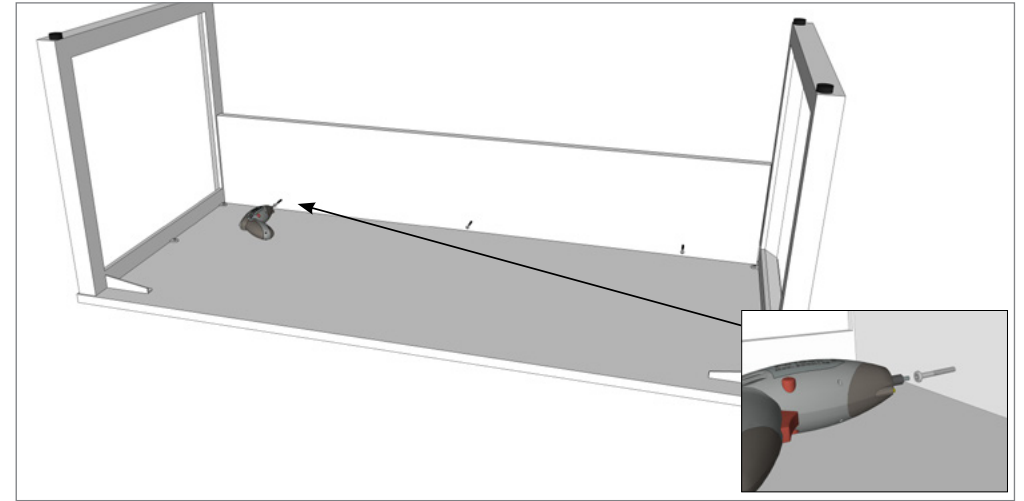
STEP 2: Fix desk frame to worktop, allowing for a 5mm overhang on all sides. Fully tighten all rail to frame screws.

Axis/Anvil Desk (With Modesty)

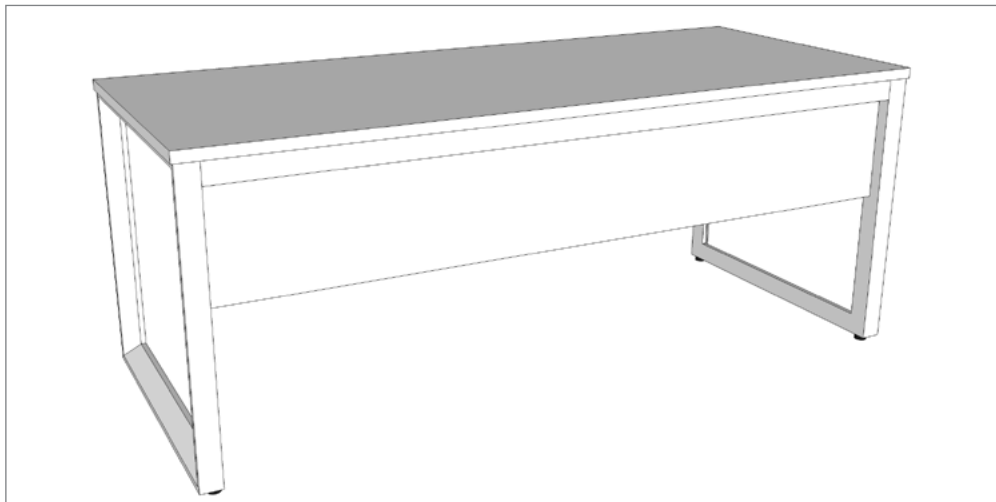
Installation Guide



STEP 3: Position the modesty behind the rail.



STEP 4: Pre-drill holes into the modesty and fully tighten the modesty to the rail with provided screws.



STEP5: Using two people, carefully set the Desk upright and position.